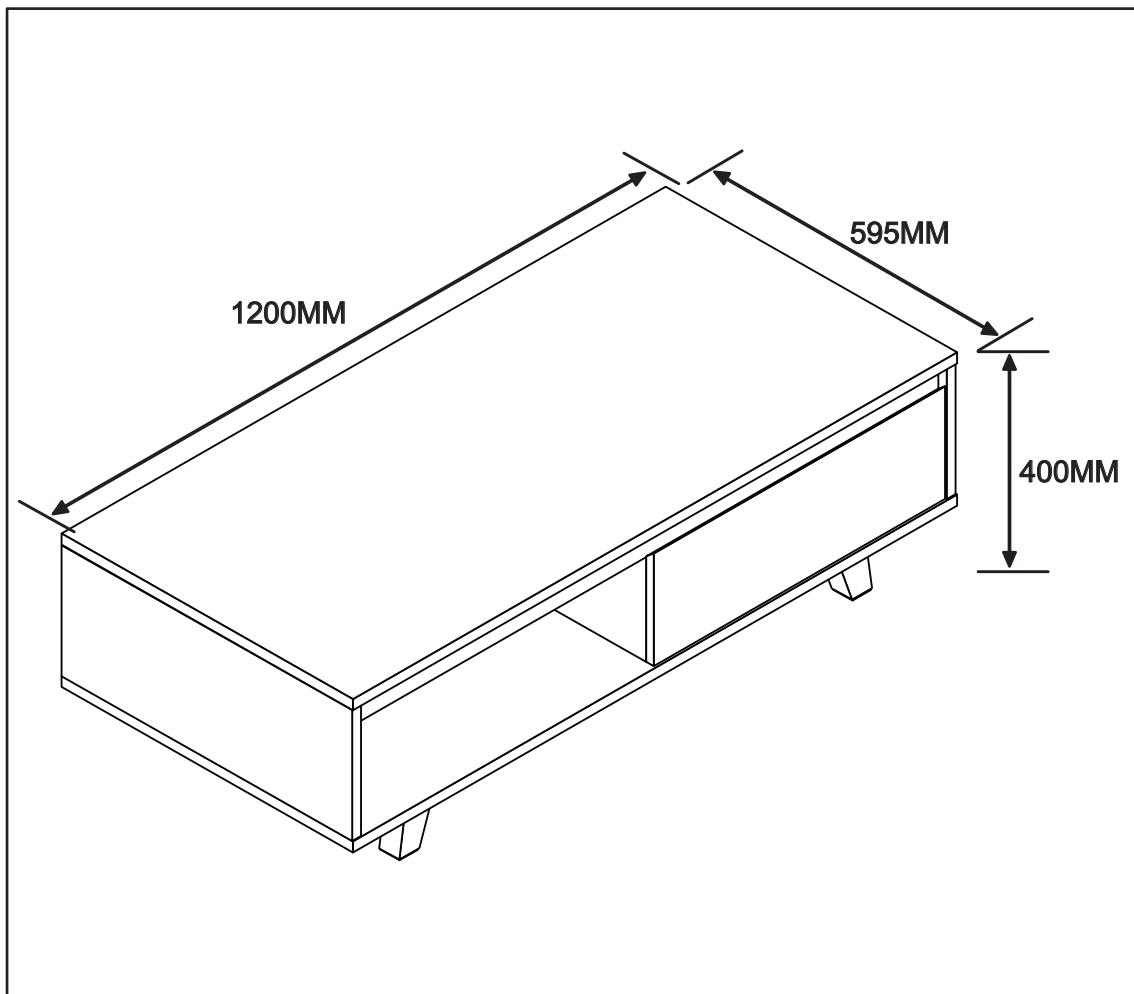




ASSEMBLY INSTRUCTION
ANDI COFFEE TABLE
ITEM CODE 54815

Imported by Amart Furniture Pty Ltd, Qld, Brisbane Australia.
For any assistance with assembly or for missing parts please phone
Amart Furniture, Customer Service Free call 1800 351 084


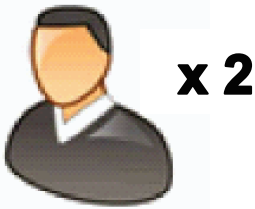
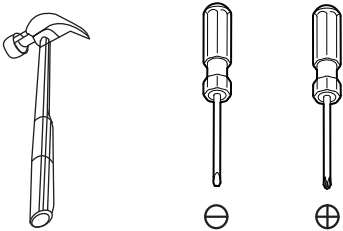


Imported by Amart Furniture Pty Ltd, Qld, Brisbane Australia.
For any assistance with assembly or for missing parts please phone
Amart Furniture, Customer Service Free call 1800 351 084

PRE-ASSEMBLY PREPARATION

Before you start:

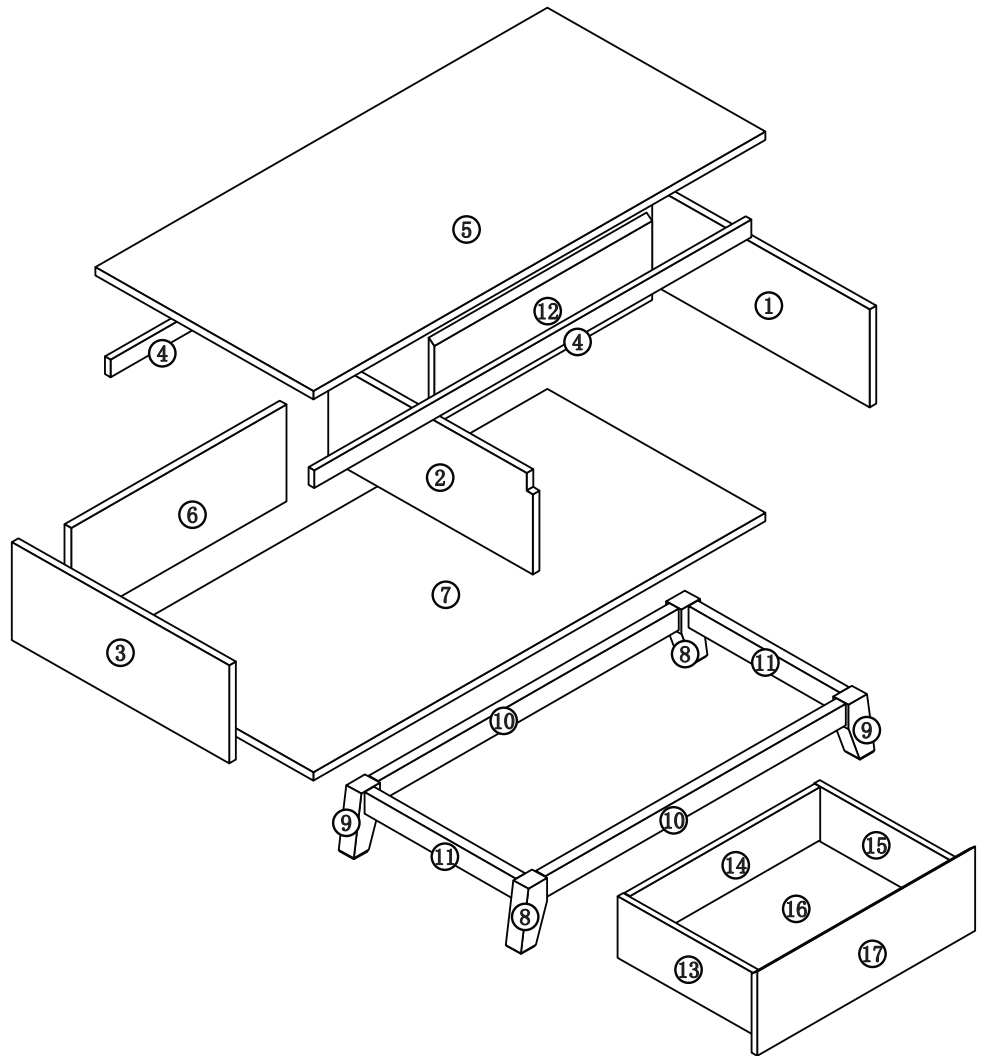
1. Choose a clean, level, spacious assembly area. Avoid hard surfaces that may damage the product
2. Take care when lifting. Product should be assembled as near as possible to the point of use
3. Ensure that you have all required contents for complete assembly
4. Always read the assembly instructions carefully before beginning assembly.
5. Keep all hardware parts and packaging out of reach of small children.
6. Do not over tighten the screws and bolts as this may damage the threads

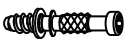


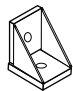

| | |
|---|--|
|  |  |
| ALLOW 60 MINUTES | PEOPLE REQUIRED |
|  | |
| TOOLS REQUIRED | |

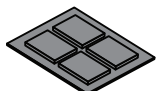



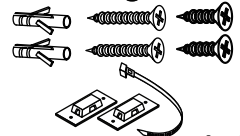
| | |
|---|---|
| ! TIPPING WARNING ! | |
|  | <p>Serious or fatal injuries may occur from furniture toppling over. To help avoid this please follow the below recommendations:</p> <ul style="list-style-type: none">• Install the provided "Tipping Kit" as per the instructions• Never allow children to climb on or hang off of any part of this product• Unless specifically designed to accommodate, do not set TVs or other heavy objects on top of this product <p>If this product has drawers:</p> <ul style="list-style-type: none">• Place the heaviest items in lowest drawers• Do not open more than 1 drawer at a time as this may cause the product to become unbalanced• Do not tamper with or remove any drawer interlocking/running system <p>Note: The use of the provided "Tipping Kit" may reduce but not necessarily eliminate the risk of furniture toppling over. Please use this product with caution.</p> <p><i>This is a permanent label. Do not attempt to remove!</i></p> |



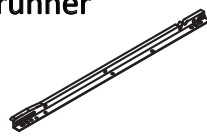
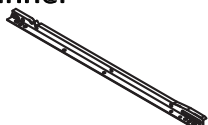
EXPLODED EXAMPLE

| | |
|----|-------------------------|
| 1 | RIGHT SIDE PANEL |
| 2 | PARTITION PANEL |
| 3 | LEFT SIDE PANEL |
| 4 | FRONT/BACK CROSSING BAR |
| 5 | TOP PANEL |
| 6 | CLAPBOARD |
| 7 | BOTTOM PANEL |
| 8 | LEG |
| 9 | LEG |
| 10 | FRONT/BACK SKIRTS |
| 11 | LEFT/RIGHT SKIRTS |
| 12 | FALSE DRAWER FRONT |
| 13 | DRAWER LEFT PANEL |
| 14 | DRAWER BACK PANEL |
| 15 | DRAWER RIGHT PANEL |
| 16 | DRAWER BOTTOM PANEL |
| 17 | DRAWER FRONT PANEL |



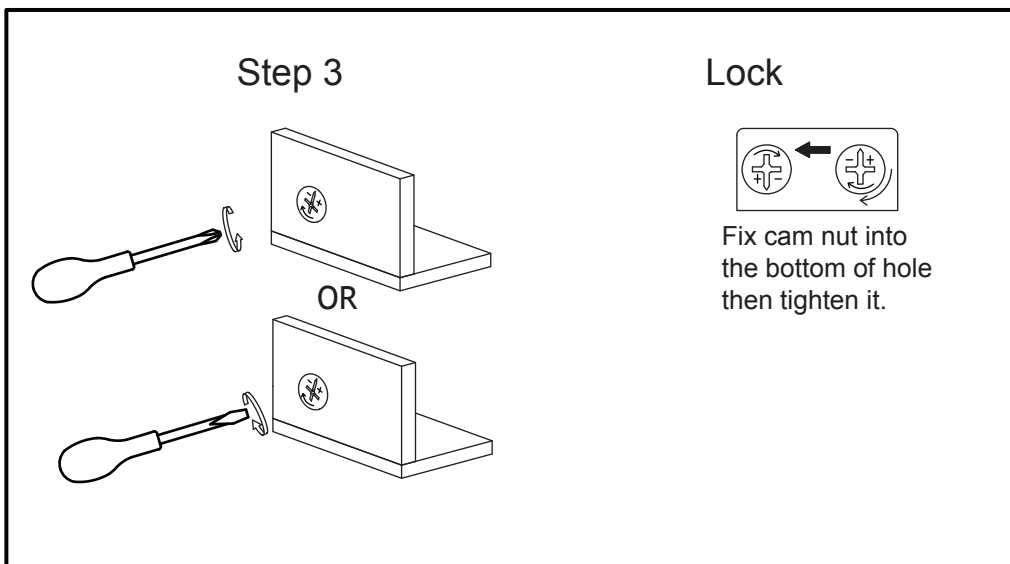
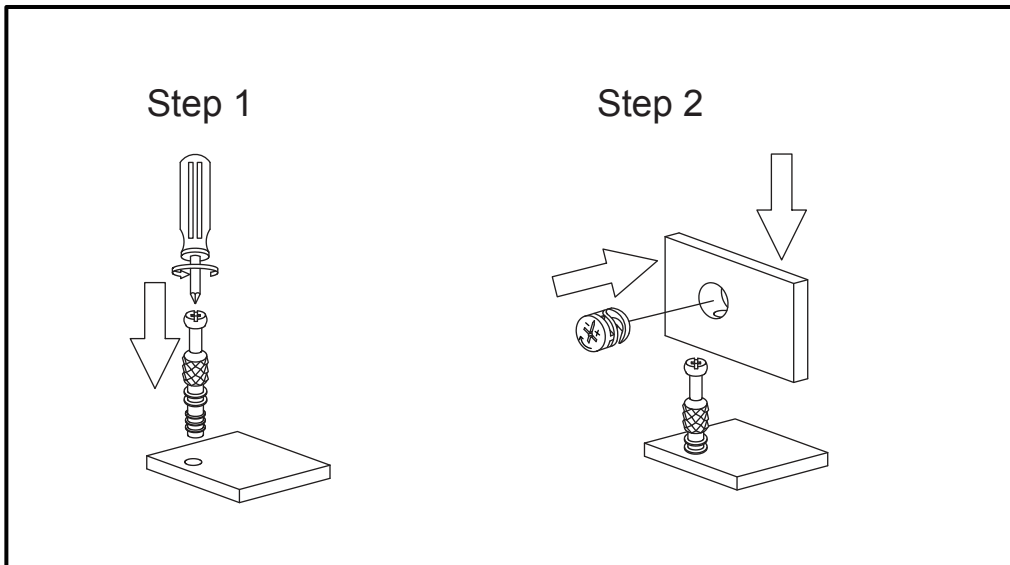
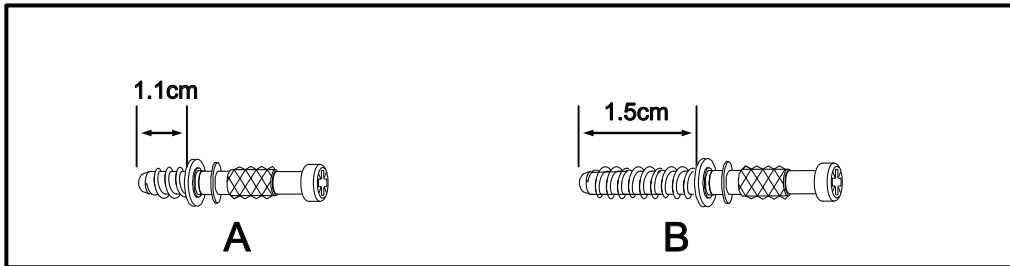
| | | | | |
|--|---|--|--|--|
| A <input type="checkbox"/> cam pin  M7x39mm Ax12 | B <input type="checkbox"/> cam pin  M7x54mm Bx8 | C <input type="checkbox"/> cam lock  M14.8x12mm Cx20 | D <input type="checkbox"/> conner connection  Dx3 | E <input type="checkbox"/> dowel  M8x30mm Ex30 |
|--|---|--|--|--|

| | | | | |
|--|--|--|---|---|
| F <input type="checkbox"/> non-slip sticker  38x38x2mm Fx1 | G <input type="checkbox"/> screw  M3.5x14mm Gx18 | H <input type="checkbox"/> screw  M5x40mm Hx12 | I <input type="checkbox"/> screw  M5x40mm Ix14 | J <input type="checkbox"/> wall fixing  M4x30mm M3.5x14mm Jx1 |
|--|--|--|---|---|

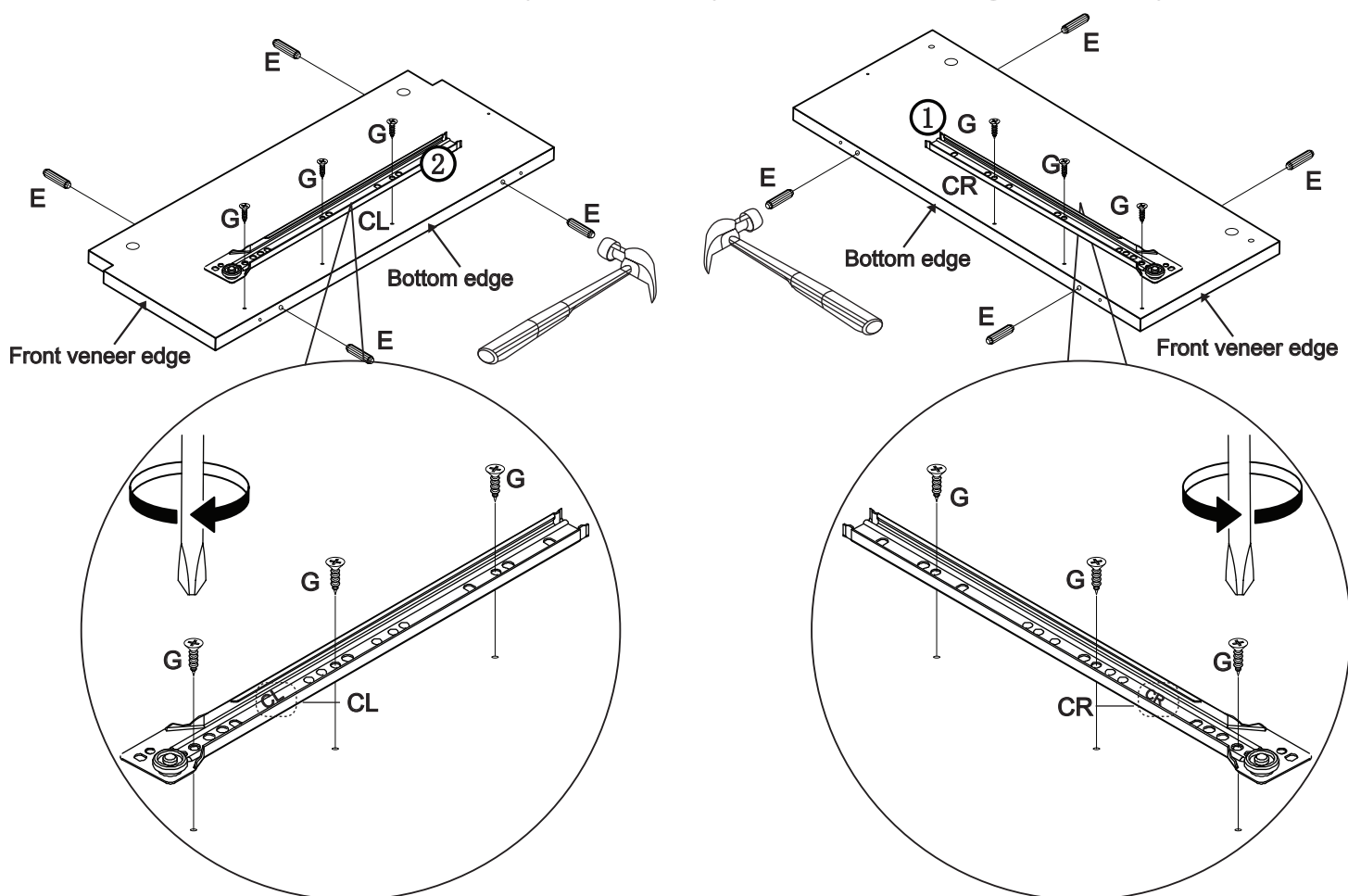
| | | | |
|---|---|---|--|
| CL <input type="checkbox"/> runner  CLx1 | CR <input type="checkbox"/> runner  CRx1 | DL <input type="checkbox"/> runner  DLx1 | DR <input type="checkbox"/> runner  DRx1 |
|---|---|---|--|

| PART NUMBER | QTY | DIMENSIONS (MM) |
|-------------|-----|-----------------|
| 1&3 | 2 | 589x225x18 |
| 2 | 1 | 554x225x18 |
| 4 | 2 | 40x1160x15 |
| 5&7 | 2 | 593x1198x18 |
| 6 | 1 | 577x225x18 |
| 8&9 | 4 | 60x140x40 |
| 10 | 2 | 50x800x25 |
| 11 | 2 | 50x414x25 |
| 12 | 1 | 195x580x15 |
| 13 | 1 | 140x400x15 |
| 14 | 1 | 140x507x15 |
| 15 | 1 | 140x400x15 |
| 16 | 1 | 394x517x2.5 |
| 17 | 1 | 195x580x15 |
| | | |

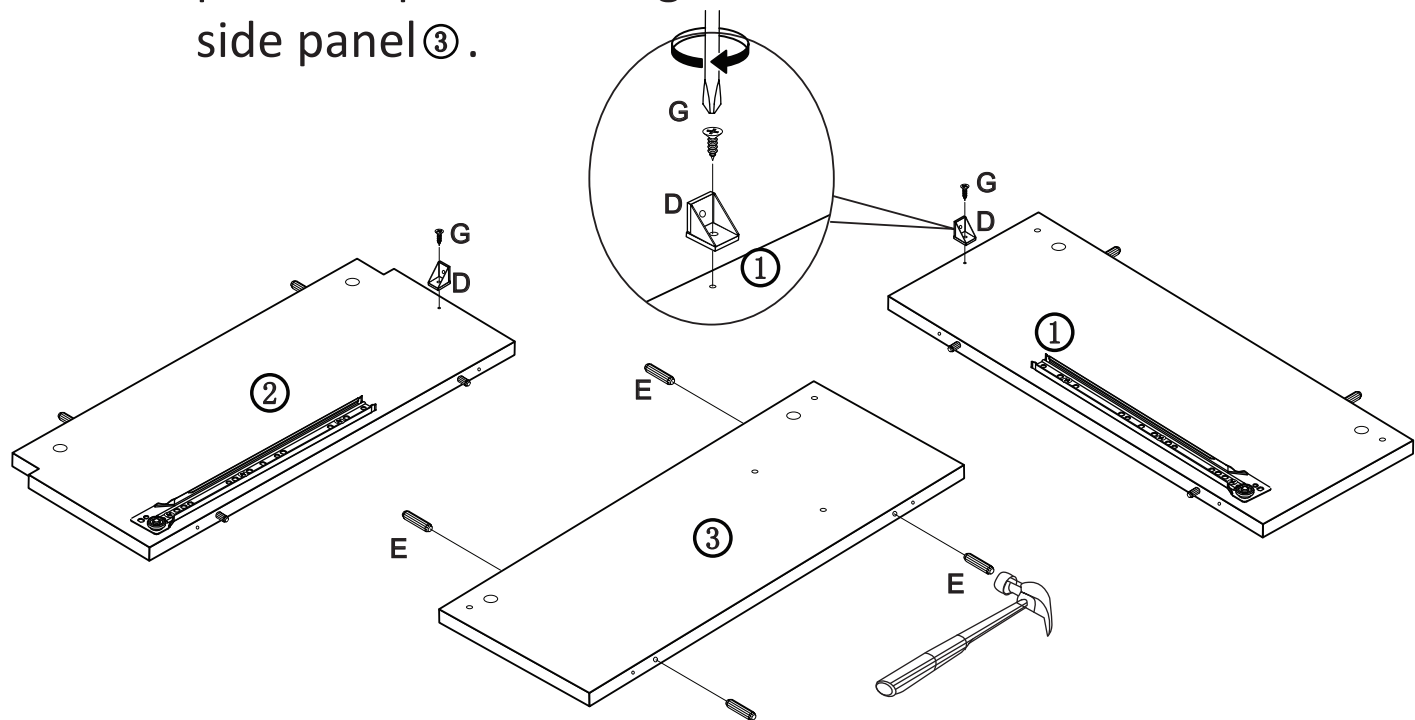
CAM LOCK INSTALL METHOD AS FOLLOWS



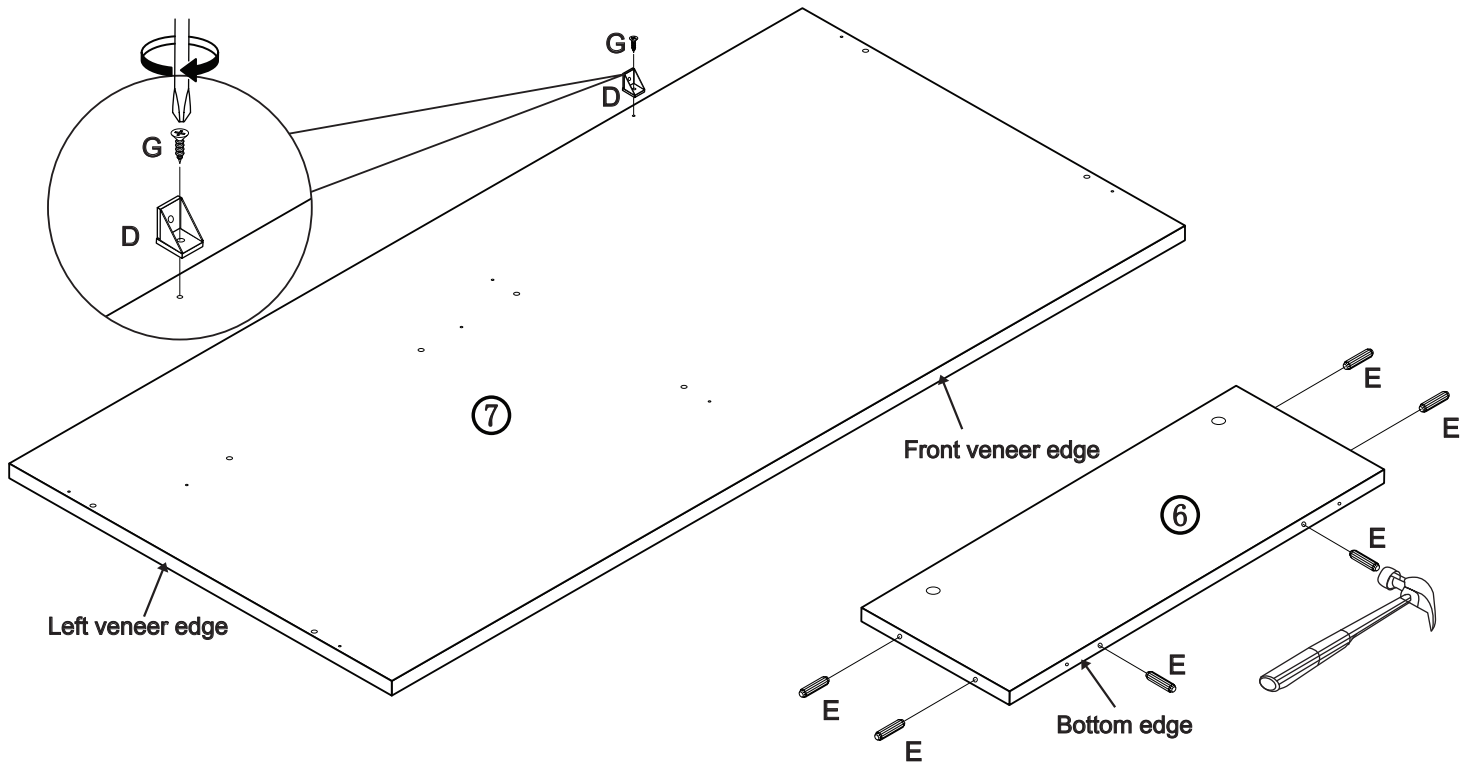
STEP 1: Fix runners ① ② to partition panel ② and right side panel ①.
 Insert dowel ⑤ to partition panel ② and right side panel ①.



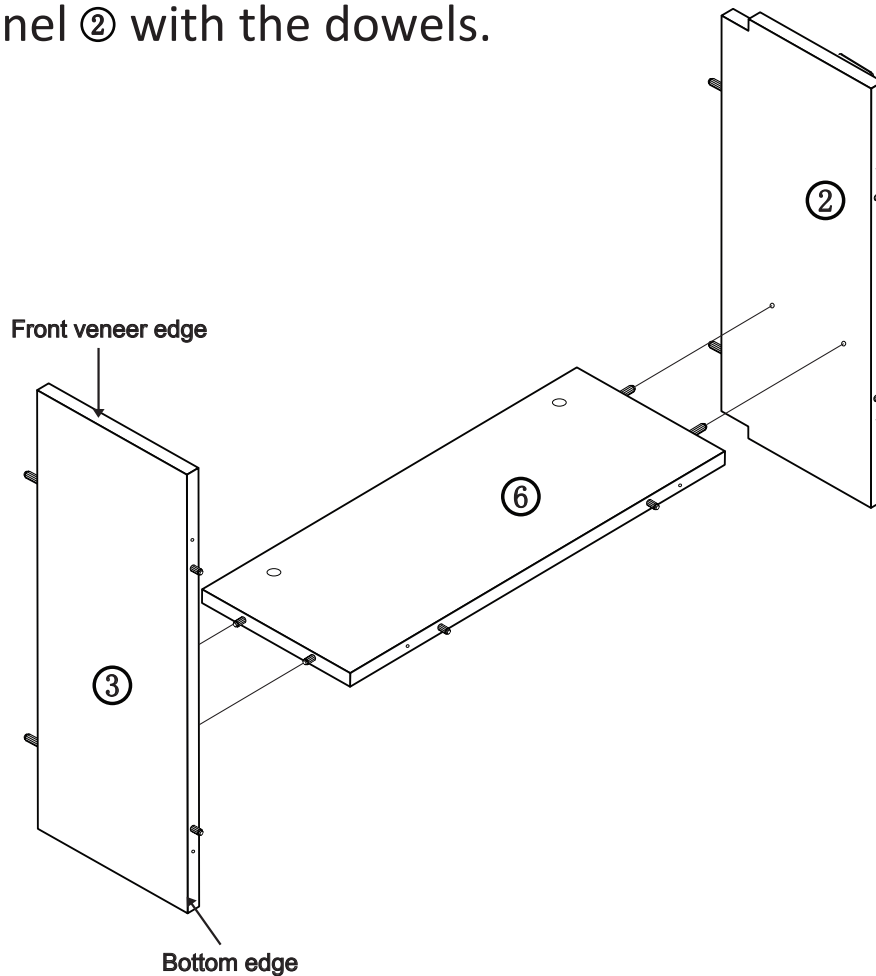
STEP 2: Fix corner connection ④ to right side panel ① and partition panel ② using screws ⑥. Insert dowel ⑤ to left side panel ③.



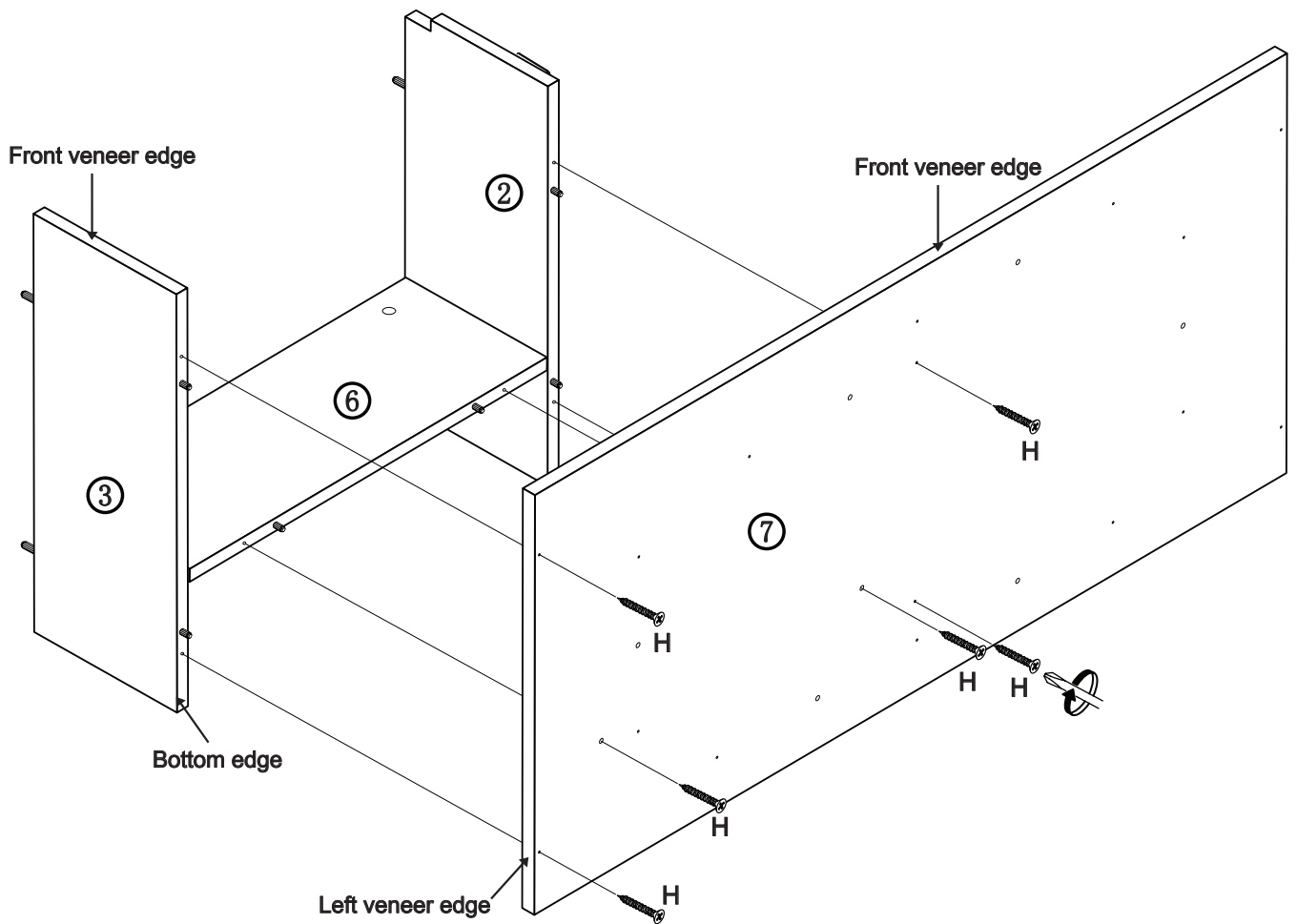
STEP 3: Fix conner connerction①to bottom panel⑦using screws③.
Insert dowel ④ to clapboard ⑥.



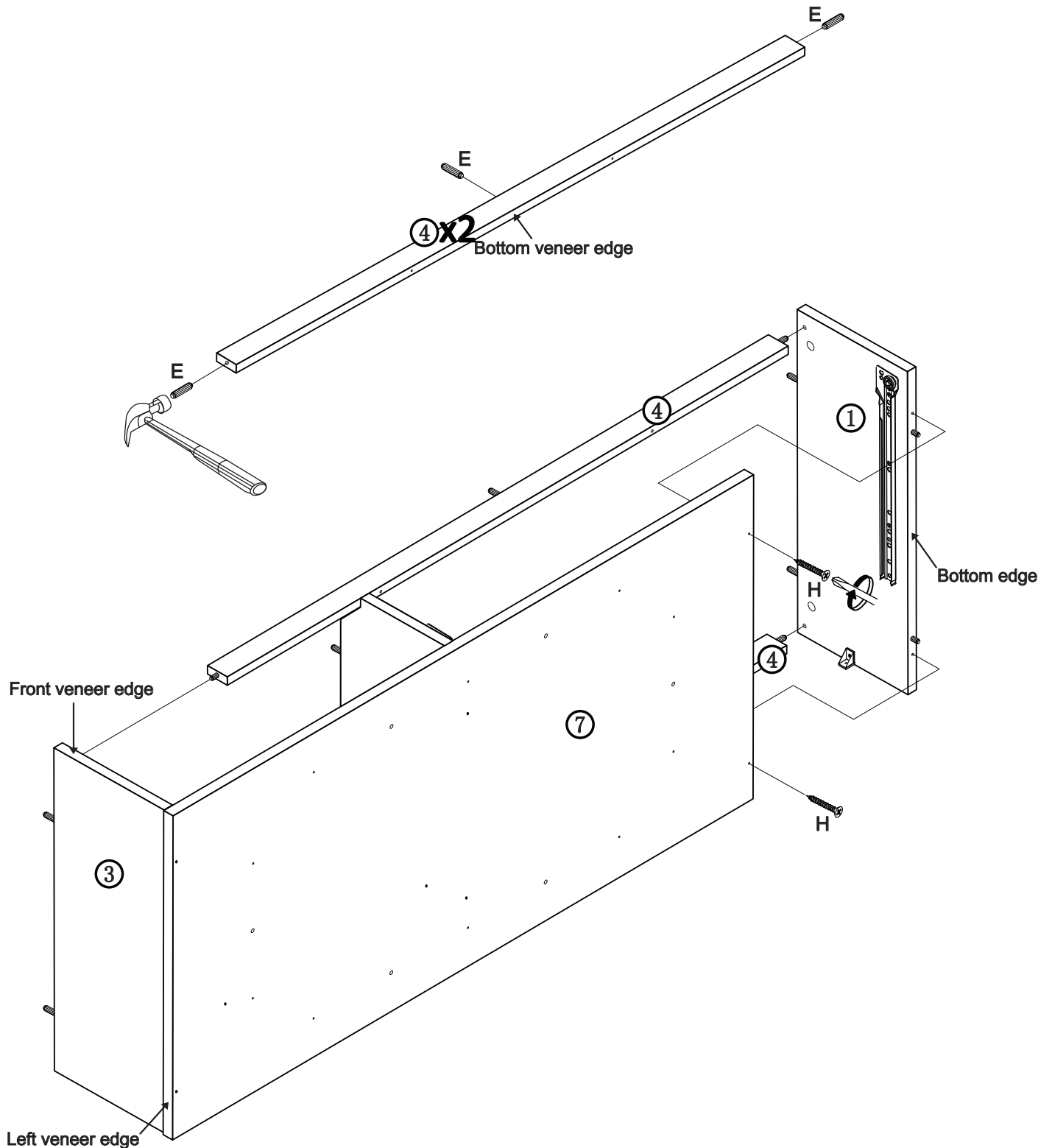
STEP 4: Attach clapboard ⑥ to left side panel ③ and partition panel ② with the dowels.



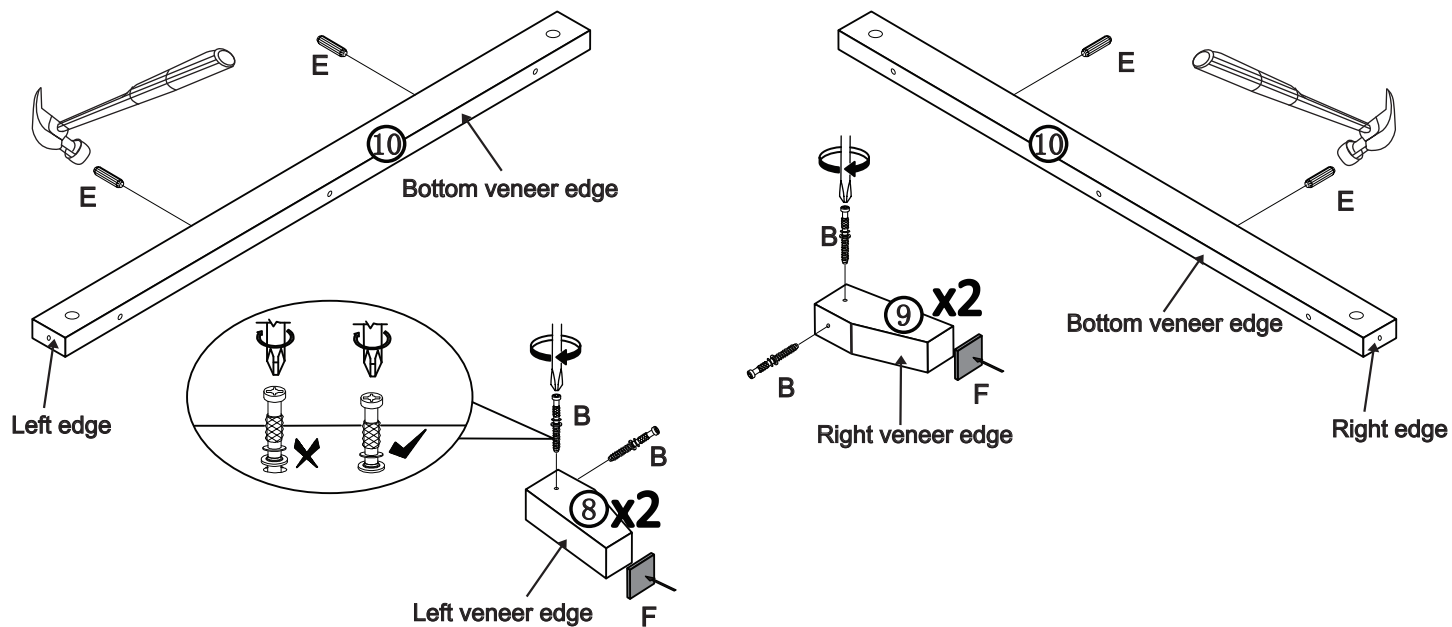
STEP 5: Attach bottom panel ⑦ to left side panel ③, partition panel ② and clapboard ⑥ using screws ⑧.



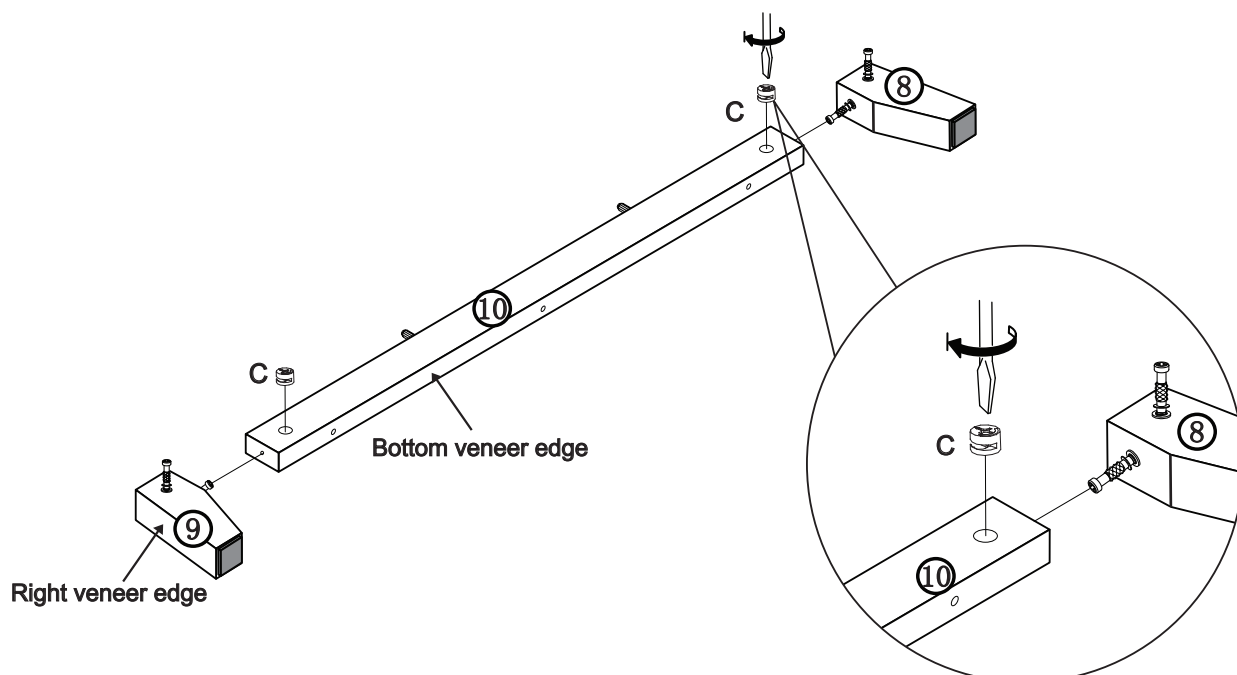
STEP 6: Insert dowel ⑤ to front/back crossing bars ④ .
Attach front crossing bars ④ to left side panel ③ and right side panel ① onto existing unit with dowels ⑤ . Attach bottom panel ⑦ to right side panel ① with screws ⑧ .



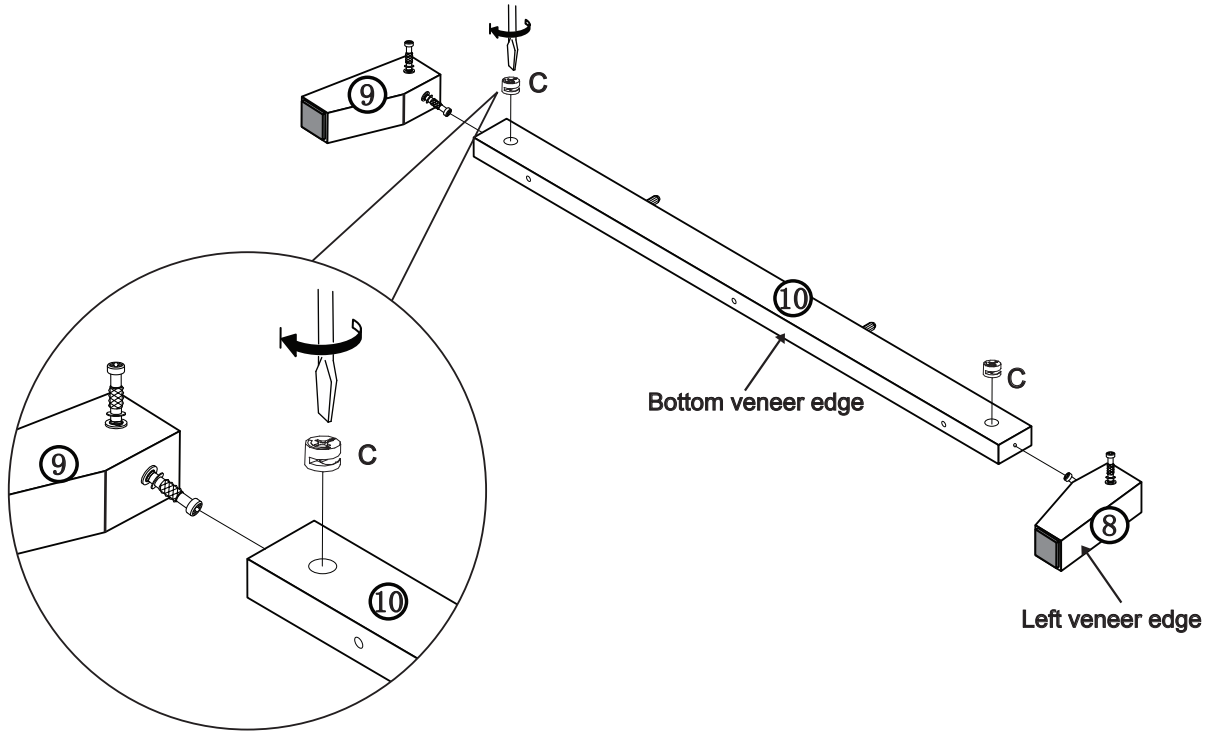
STEP 7: Insert dowel ⑤ to front/back skirts ⑩ .Fix cam pin ② to legs ⑧ ⑨ .Attach non-slip stickers ⑥ to the bottom of legs ⑧ ⑨ .



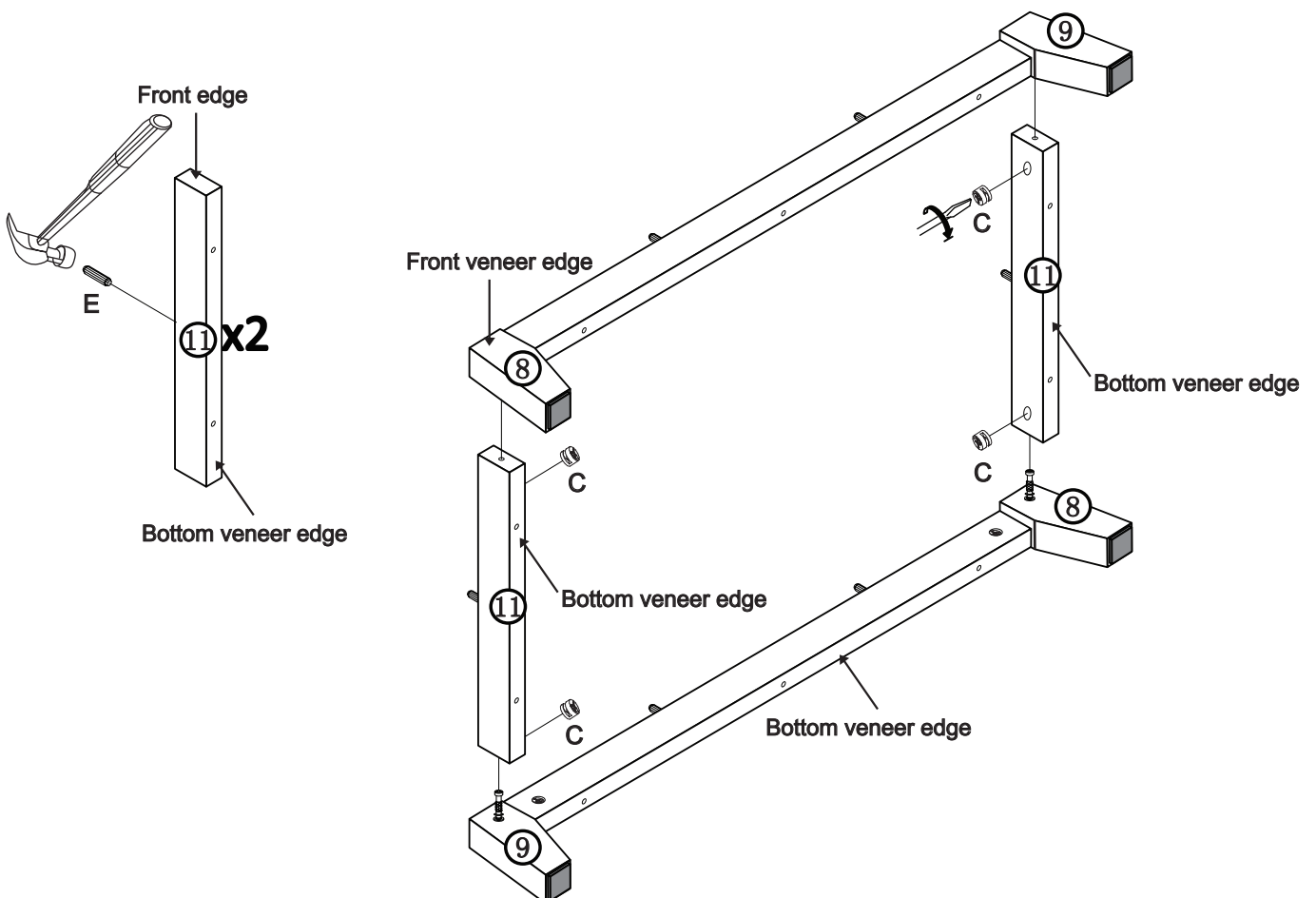
STEP 8: Attach legs ⑧ ⑨ to back skirt ⑩ with the cam locks ③ .



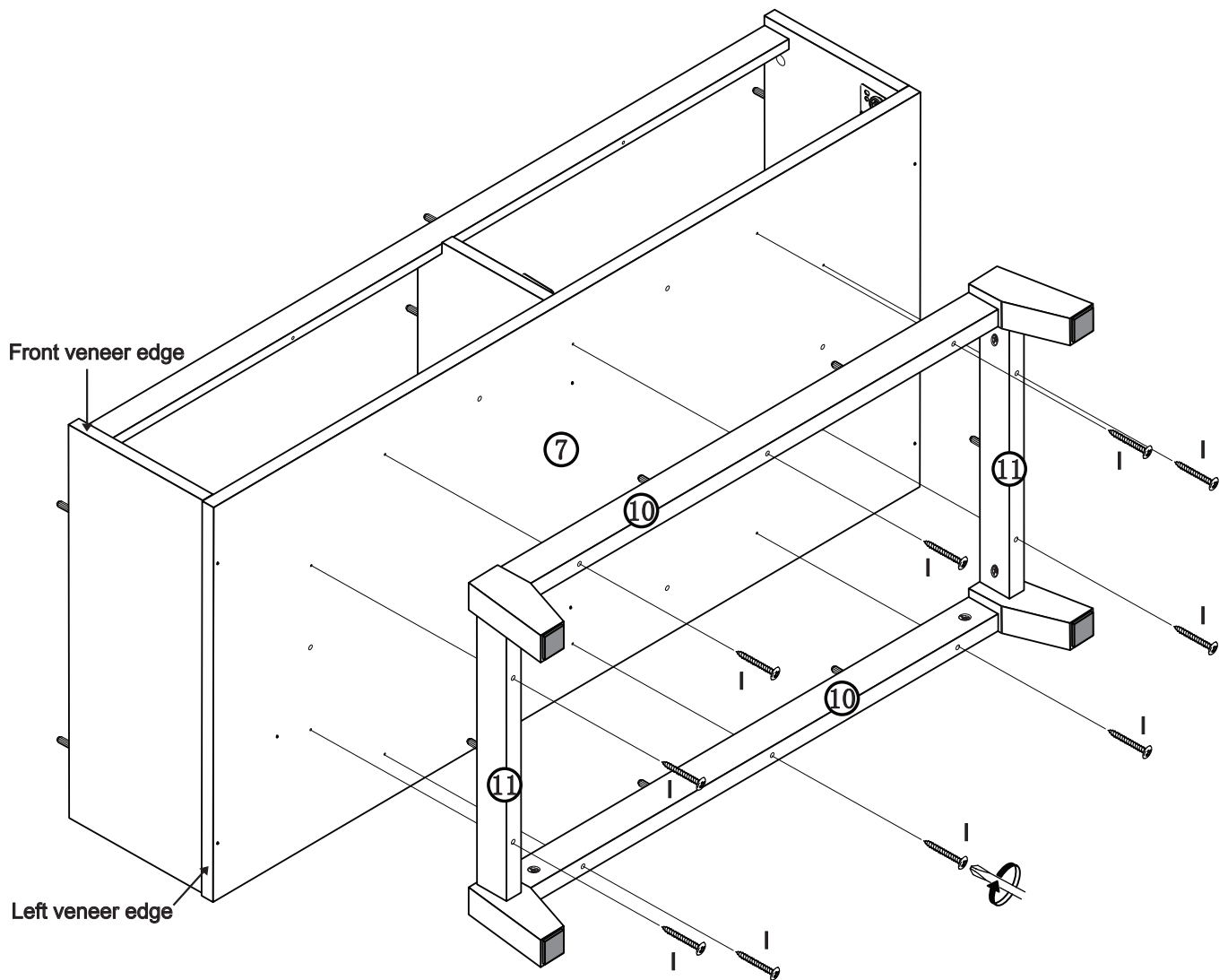
STEP 9: Attach legs ⑧ ⑨ to front skirt ⑩ with the cam locks ③ .



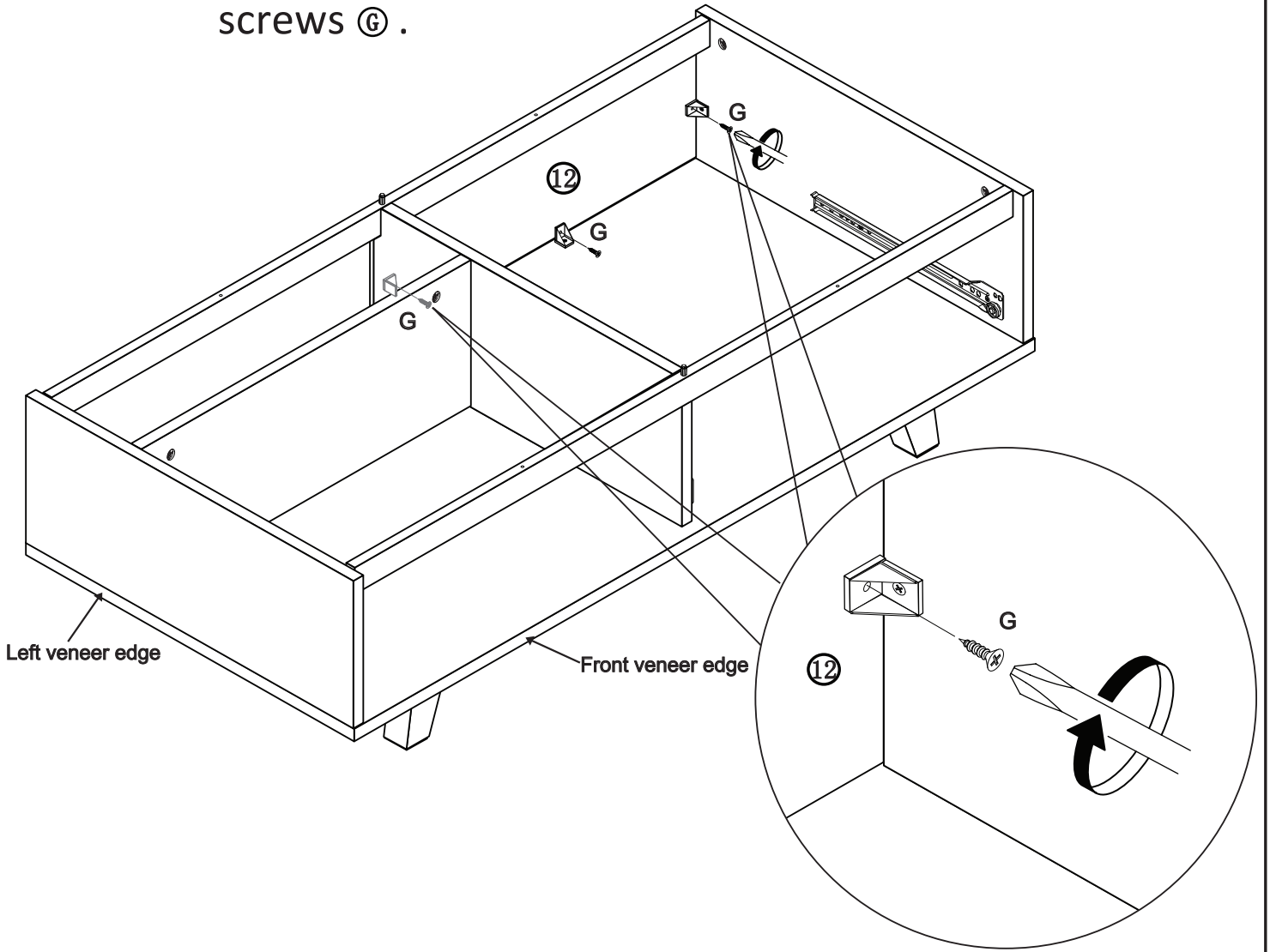
STEP 10: Insert dowel ⑤ to left/right skirts ⑪. Attach left/right skirts ⑪ to legs ⑧ ⑨ using cam lock ③ .



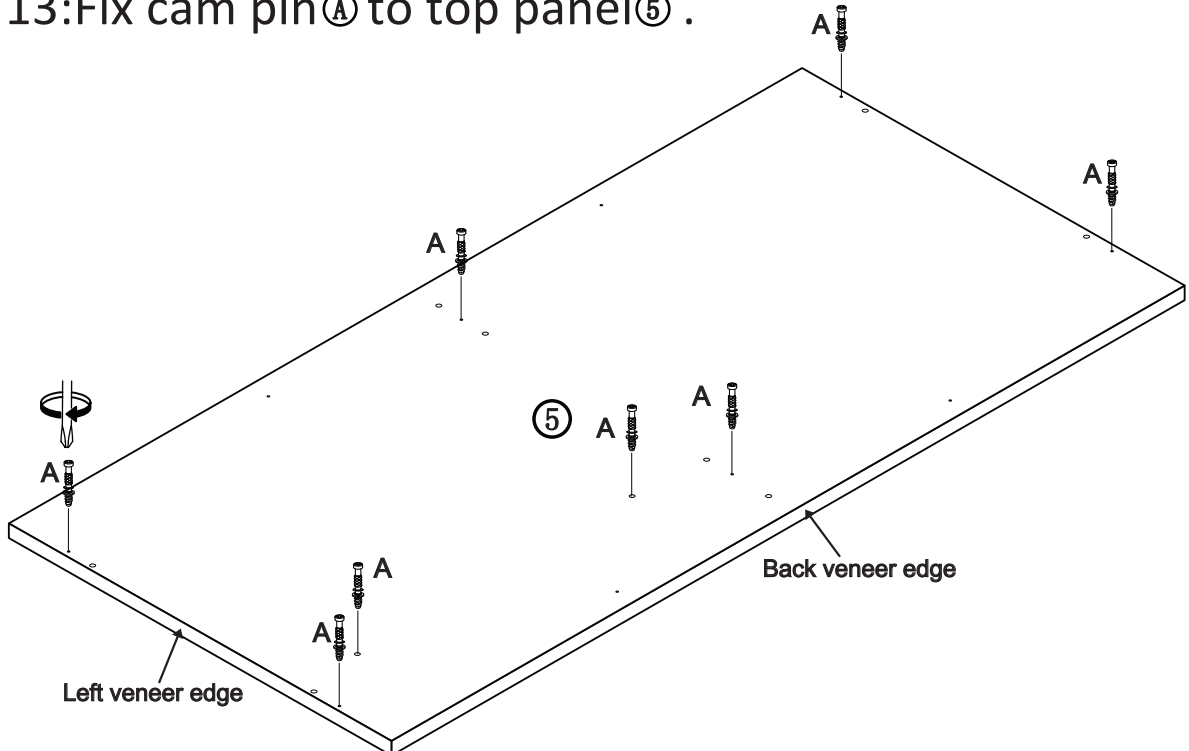
STEP 11: Attach bottom parts to existing unit with screws ⑩ .



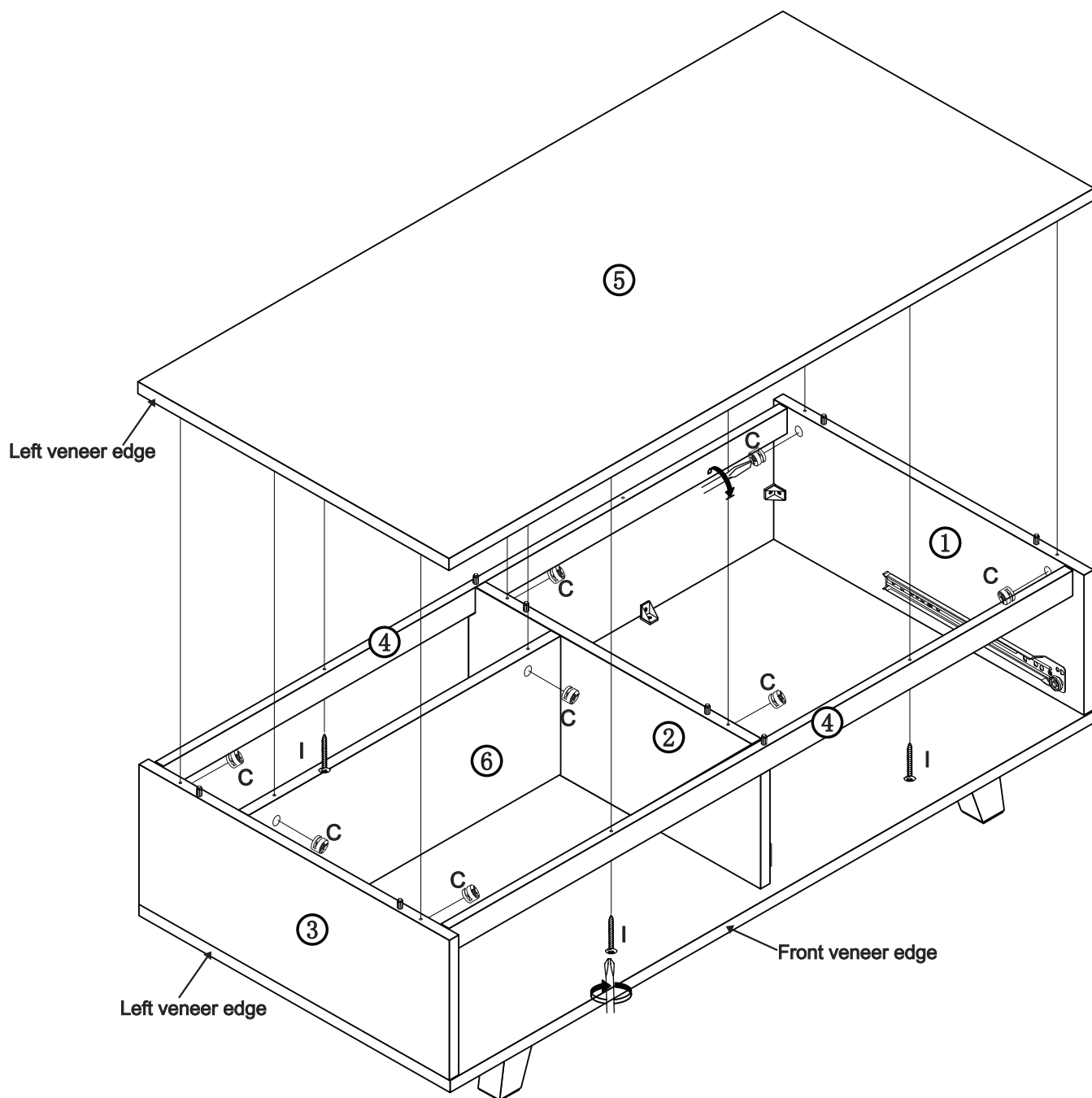
STEP 12: Fix conner connection ⑩ to false drawer front ⑫ using screws ⑦ .



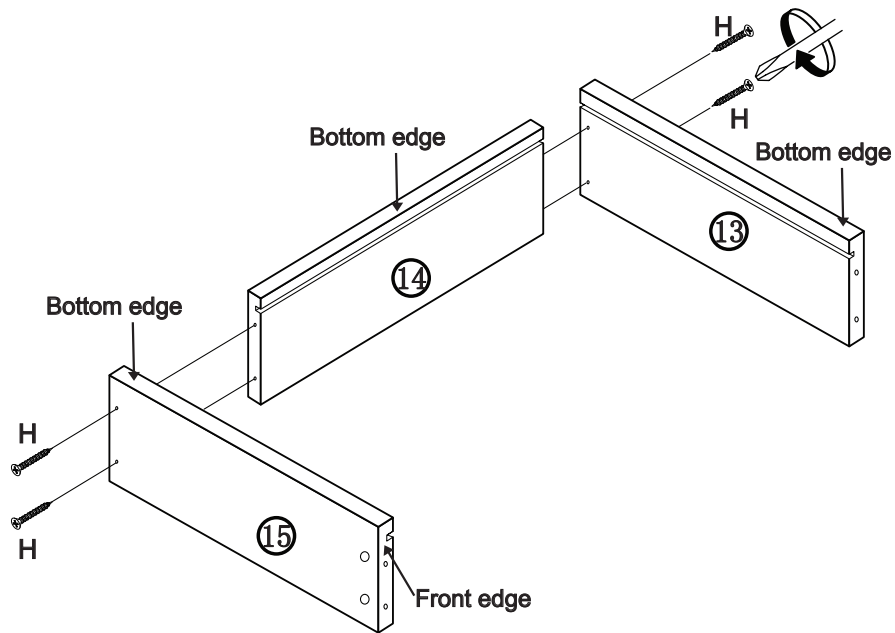
STEP 13: Fix cam pin ① to top panel ⑤ .



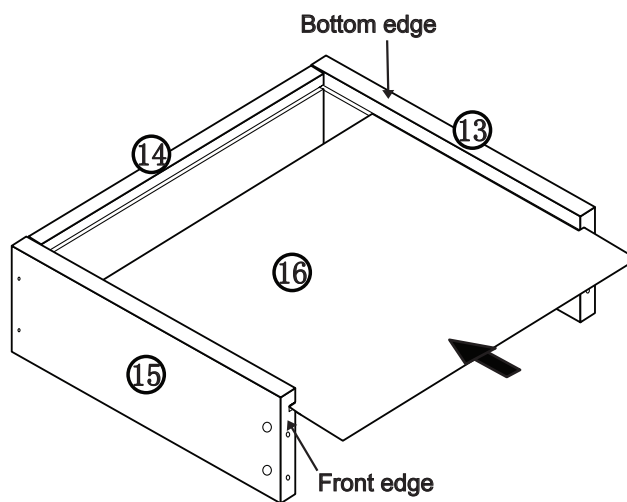
STEP 14: Attach top panel ⑤ to the existing unit with the cam locks ③. Attach top panel ⑤ to front/back panels ④ with the screws ①.



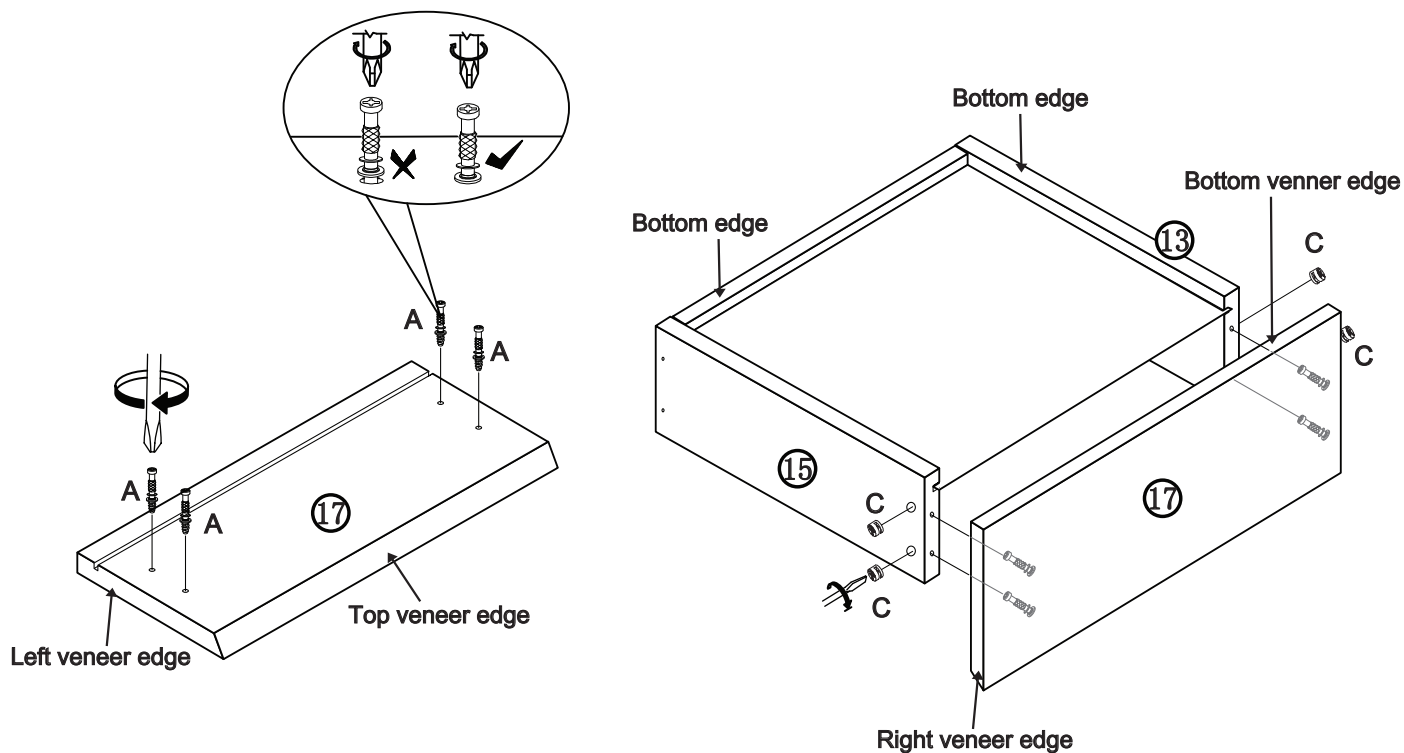
STEP 15: Attach drawer left panel ⑬ and drawer right panel ⑭ to drawer back panel ⑮ with screw ⑥ .



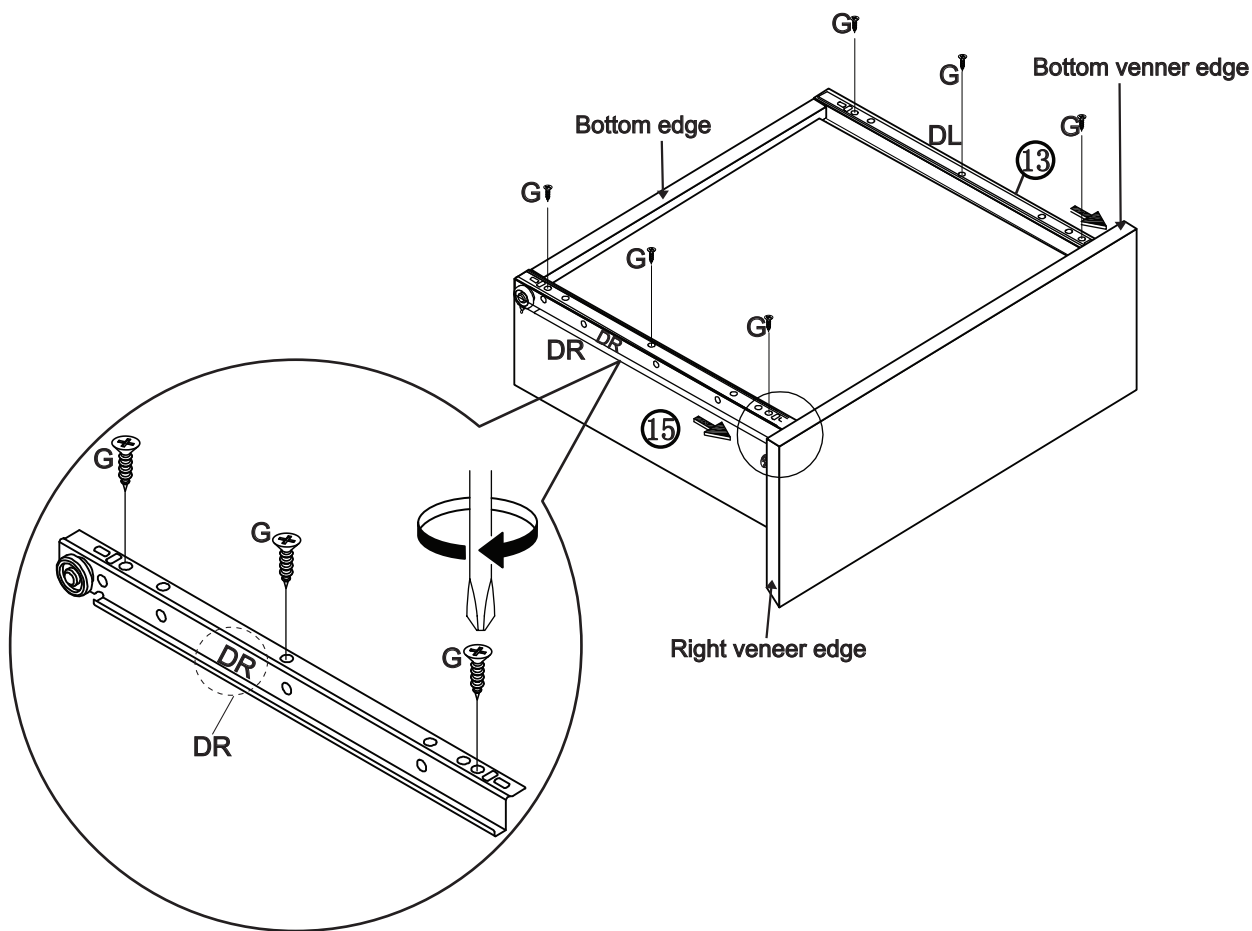
STEP 16: Insert bottom panel ⑯ to the existing unit.



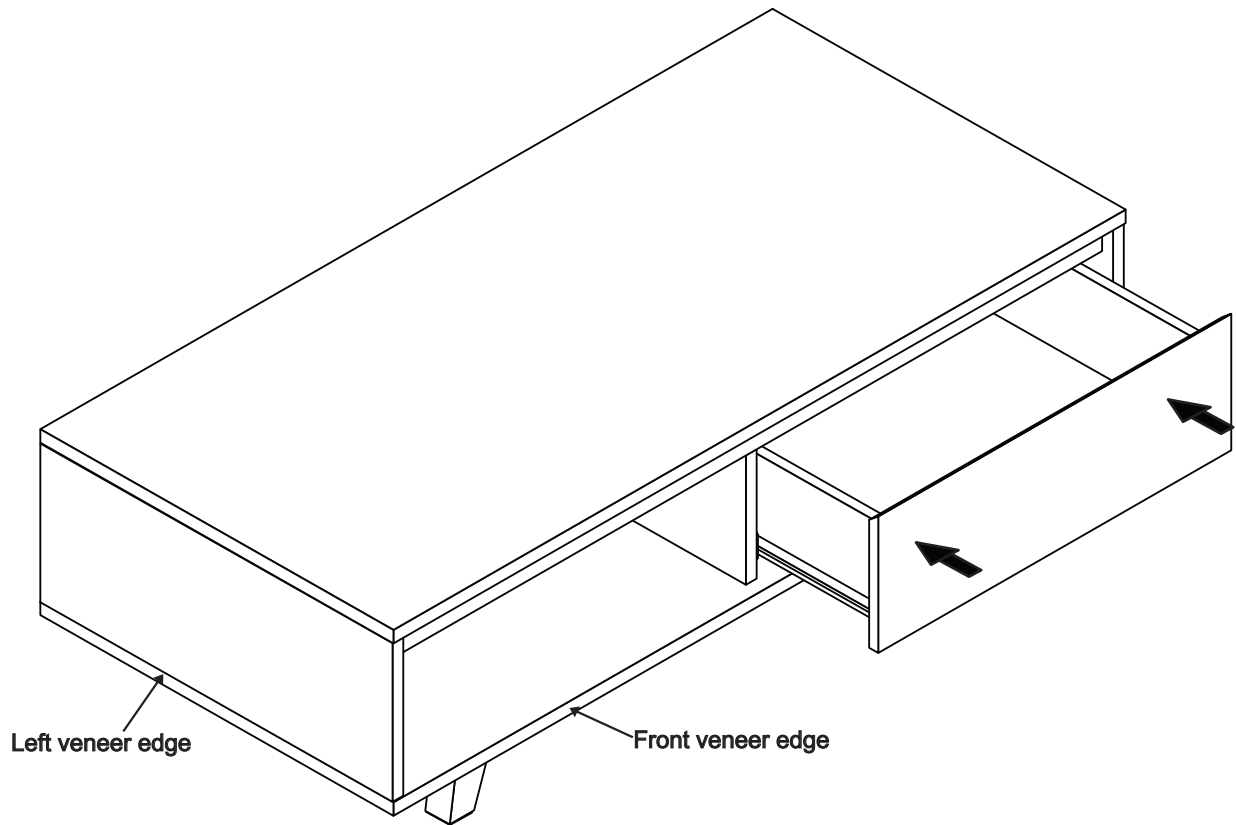
STEP 17: Fix cam pin ① to drawer front panel ⑱. Attach drawer front panel ⑱ to the body of drawer with cam locks ③.



STEP 18: Fix runners ②④ to the bottom of drawer using screws ⑥.

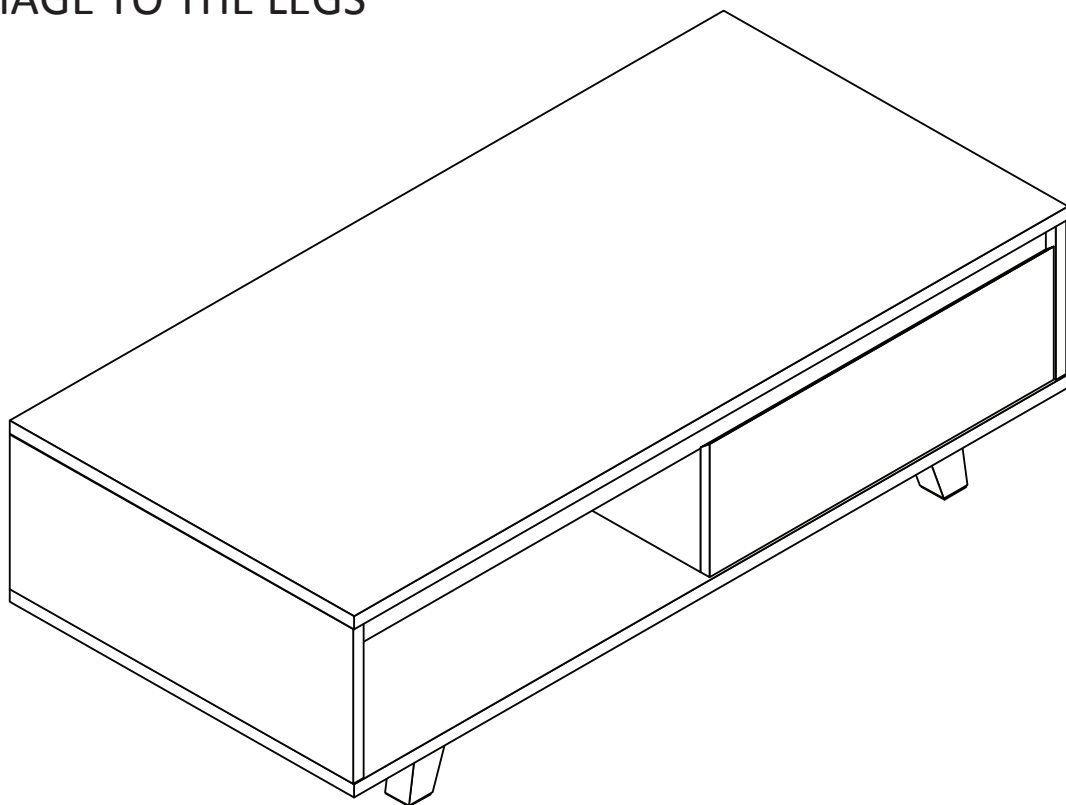


STEP 19: Slide drawers into the unit.



ASSEMBLY COMPLETE

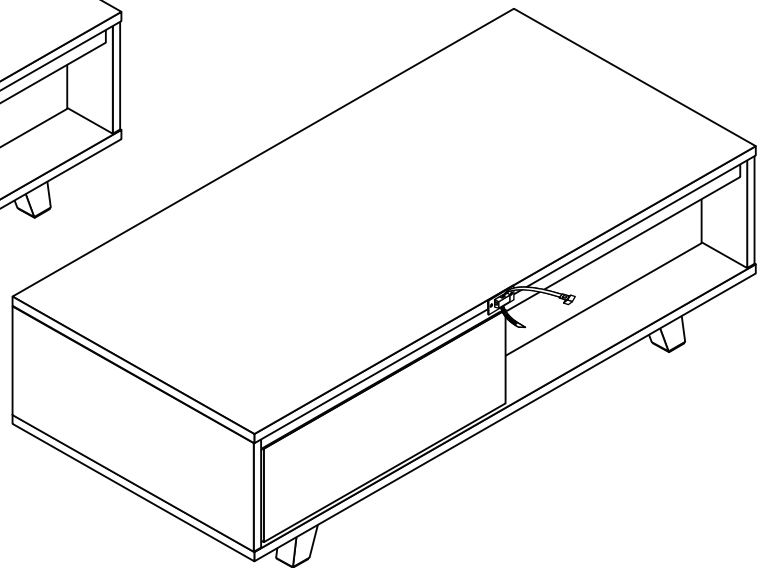
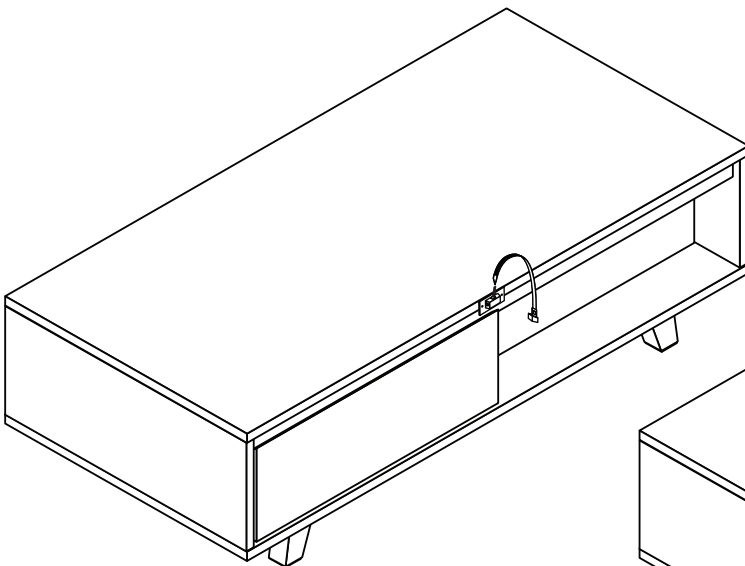
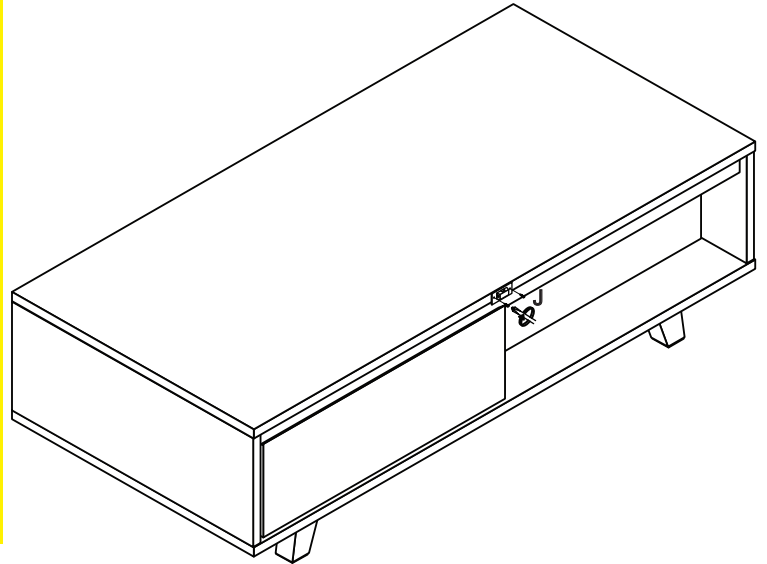
DO NOT PUSH OR DRAG THIS FURNITURE – IT WILL CAUSE DAMAGE TO THE LEGS



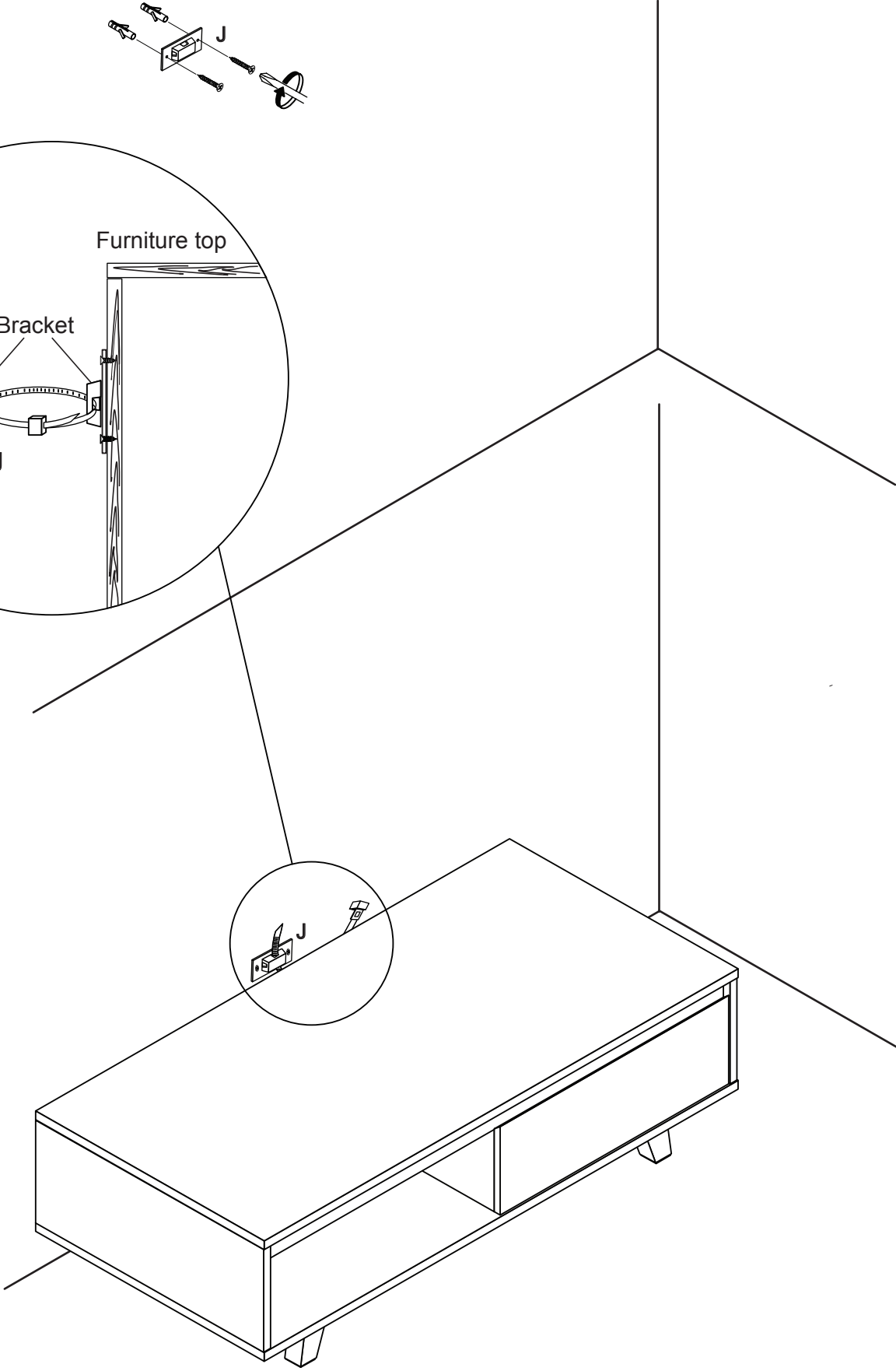
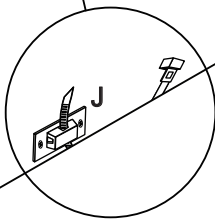
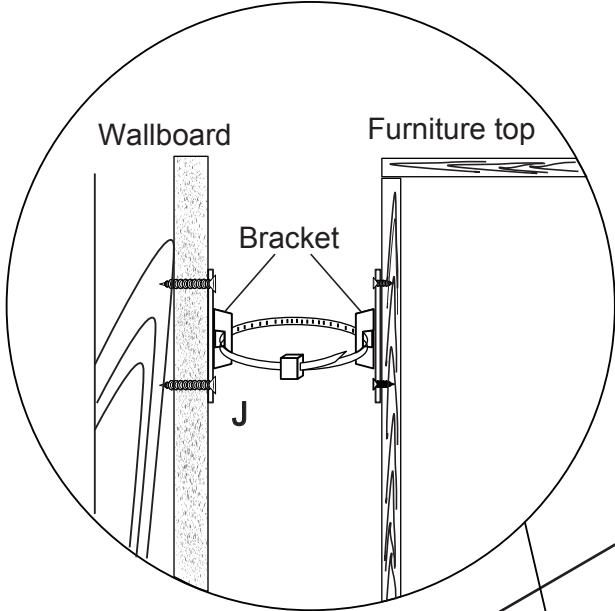
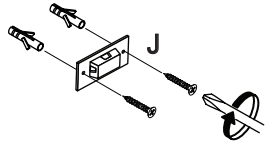


STEP 1: Fix bracket to back panel using screws M3.5*14MM .
Put plastic string into bracket.

NOTE - This product must be fixed to a wall. It is important to ensure the correct wall fixings are used. Failure to do so may result in personal injury or property damage caused by the item toppling over. As wall materials vary greatly, the fastener required to fix this product to a wall is not included. If unsure, consult your local hardware store for advice on wall fixings suitable for your situation. Please note that the screws are only suitable for plasterboard wall materials, please contact local hardware store for suitable screws if not plasterboard wall.



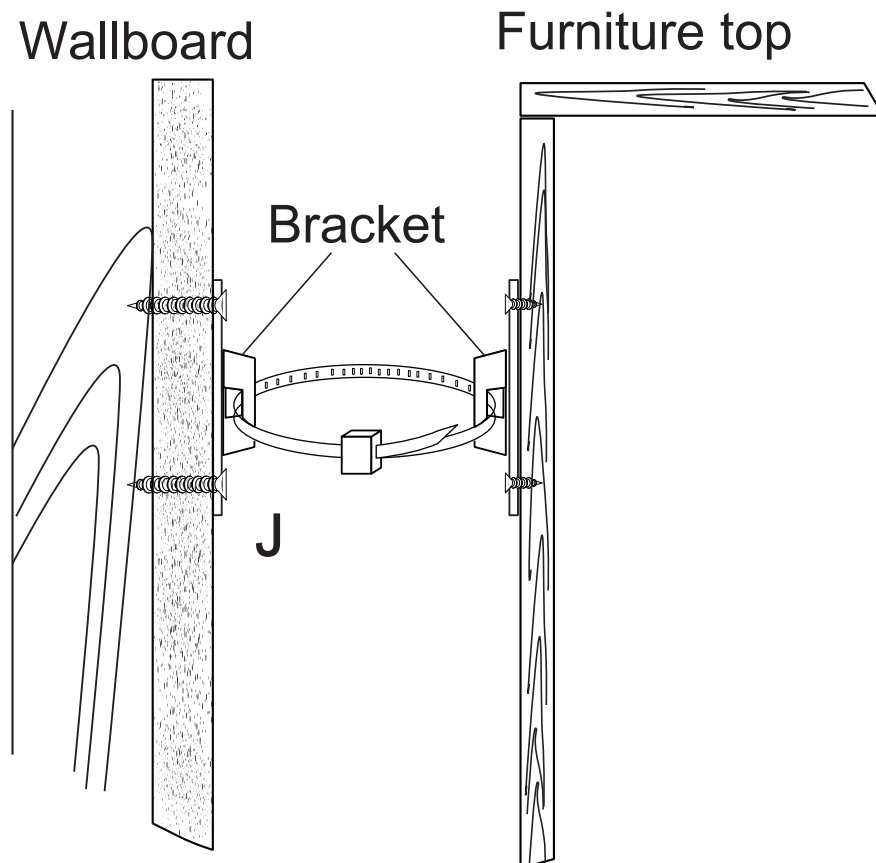
STEP 2: Fix bracket onto the wall using screws M4*30MM.
Join wallboard and the furniture with plastic sting.





SAFETY BRACKETS INSTRUCTIONS

1. Attach a bracket to the wallboard with the long screws provided.
2. Attach a bracket to the furniture frame under the top with the short screws provided.
3. Move the furniture into its final position. Thread a strap through the bracket as shown in the illustration, tighten strap until snug. Do not over tighten.
4. Make sure the bracket is firmly attached to the wallboard and furniture, and the strap is snug.



PRODUCT CARE:

To protect your furniture, we suggest the following:

*Avoid placing your furniture in direct sunlight.

*Do not place furniture directly under windows.

*Do not place sharp materials(knife, fork, etc) directly onto your furniture as sharp material may scrape and damage the finish.

Do not place material with high temperature directly onto the surface of your furniture.

*Protective padding is strongly recommended when using your furniture .

*Clean up spills quickly. Water left over a prolonged period of time may cause damage. Alcohol, perfume, nail polishes, aftershave and some medication may cause severe finish damage if not cleaned immediately.

*Use a clean, soft, dry, lint free absorbant cloth to clean your furniture. Do not use any detergent as they may contain ingredients that may react and damage the finish.

NOTE: If the above care advise is not adhered to your product warranty may become void.